

45mm CRITICAL MEASUREMENT

6mm HOLES TO BE SCREWED WHERE SHOWN ON BOTH SIDES

14x40 PROFILE

60x30 PROFILE

803 O/A TRUSS HEIGHT

60x30 PROFILE

45°

715

506

506

337

1610

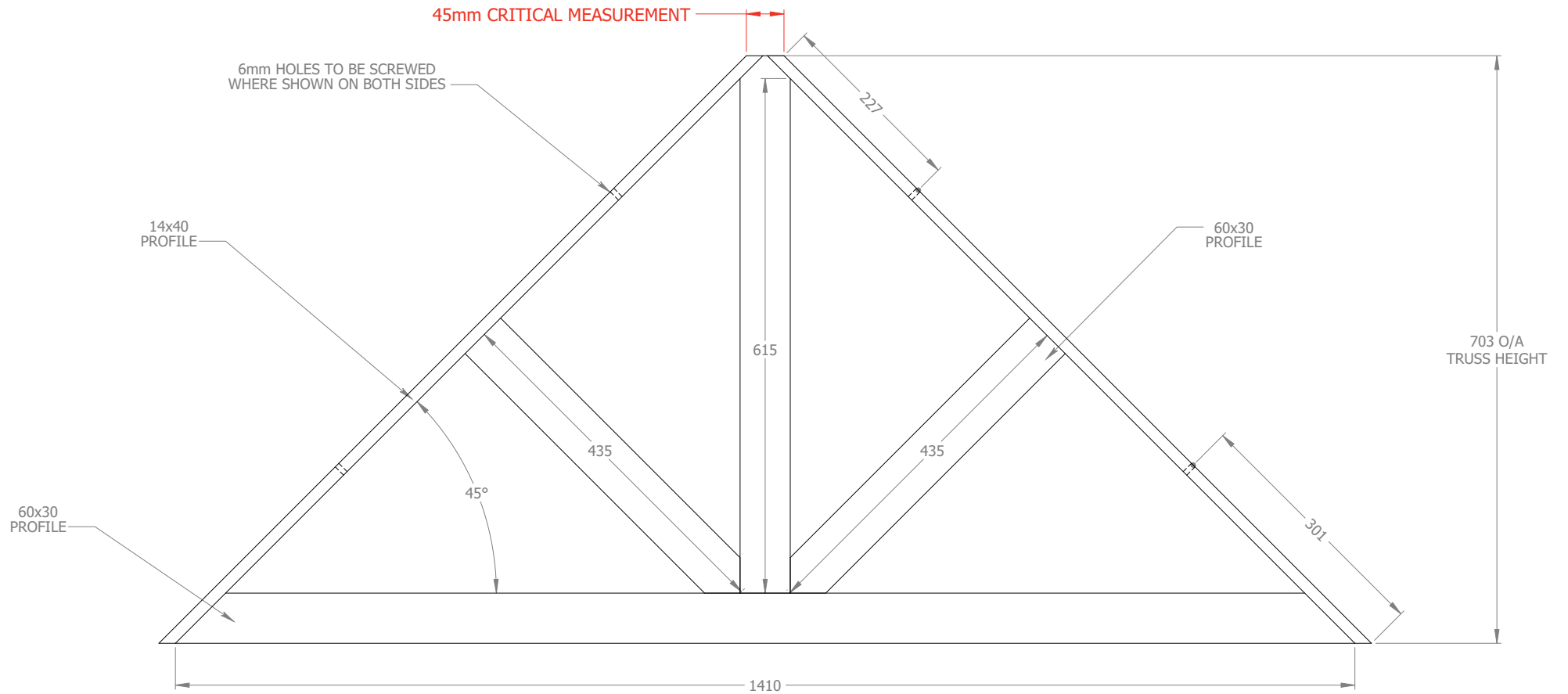
FRONT ELEVATION (1:5)



1650 O/A WIDTH

BOTTOM VIEW (1:5)

DAISY MILL, (GATE 3) UNIT B			KEDEL LIMITED
DAISY STREET, COLNE,			
LANCASHIRE, BB8 8ER			
	NAME	DATE	TITLE: 1800 W-TRUSS
DRAWN	LW	08/09/2016	PLASTIC-WOOD TRUSS
TECHNICAL APPROVAL			
PRODUCTION APPROVAL			
Notes :			TW451800
			REV. A



FRONT ELEVATION (1:5)



BOTTOM VIEW (1:5)

DAISY MILL (GATE 3) UNIT B			KEDEL LIMITED
DAISY STREET, COLNE			
LANCASHIRE, BB8 8ER			
	NAME	DATE	TITLE: 1600 W-TRUSS
DRAWN	LW	08/09/2016	PLASTIC-WOOD TRUSS
TECHNICAL APPROVAL			
PRODUCTION APPROVAL			
Notes :			TW451600
			REV. A

45mm CRITICAL MEASUREMENT

6mm HOLES TO BE SCREWED WHERE SHOWN ON BOTH SIDES

14x40 PROFILE

60x30 PROFILE

478 O/A TRUSS HEIGHT

60x30 PROFILE

45°

276

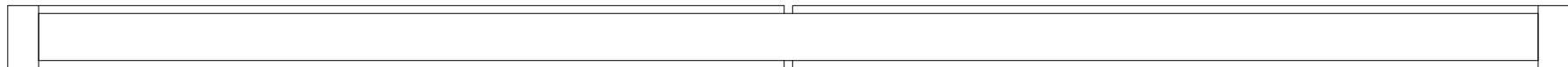
276

222

390

960

FRONT ELEVATION (1:3)



1000 O/A WIDTH

BOTTOM VIEW (1:3)

DAISY MILL, (GATE 3) UNIT B			KEDEL LIMITED
DAISY STREET, COLNE,			
LANCASHIRE, BB8 8ER			
	NAME	DATE	TITLE: 1150 W-TRUSS
DRAWN	LW	08/09/2016	TRUSS
TECHNICAL APPROVAL			
PRODUCTION APPROVAL			
Notes :			TW451150
			REV. A

45mm CRITICAL MEASUREMENT

6mm HOLES TO BE SCREWED WHERE SHOWN ON BOTH SIDES

14x40 PROFILE

60x30 PROFILE

45°

715

262

803 O/A TRUSS HEIGHT

337

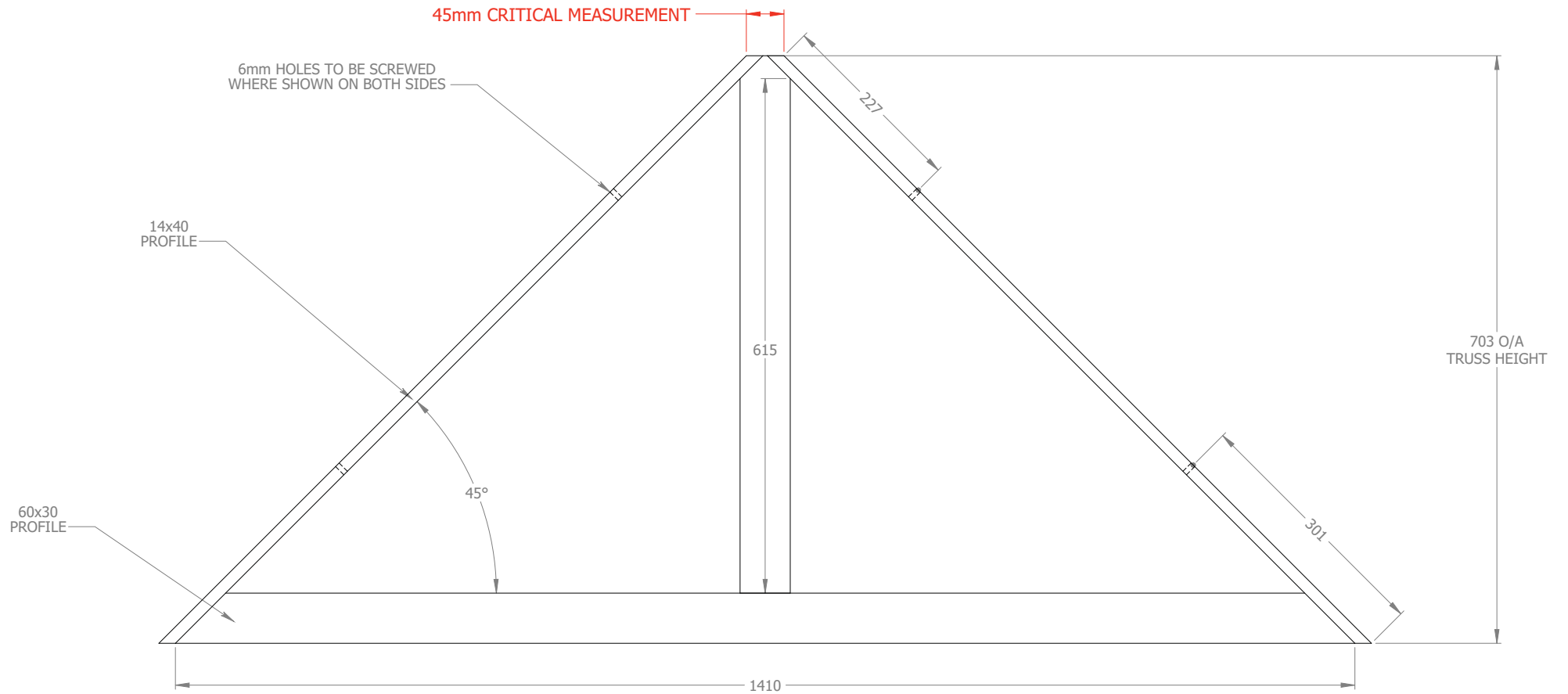
1610

FRONT ELEVATION (1:5)

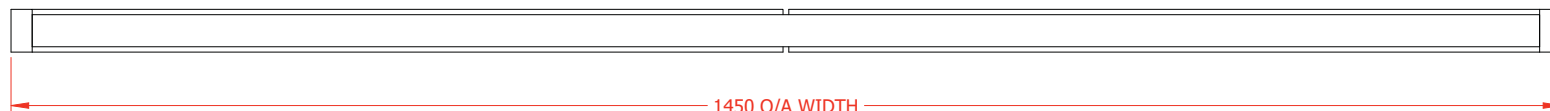
1650 O/A WIDTH

BOTTOM VIEW (1:5)

DAISY MILL, (GATE 3) UNIT			KEDEL LIMITED
B DAISY STREET, COLNE,			
LANCASHIRE, BB8 8ER			
	NAME	DATE	TITLE: 1800 T-TRUSS
DRAWN	LW	08/09/2016	TRUSS
TECHNICAL APPROVAL			
PRODUCTION APPROVAL			
Notes :			TT451800
			REV. A



FRONT ELEVATION (1:5)



BOTTOM VIEW (1:5)

DAISY MILL, (GATE 3) UNIT B			KEDEL LIMITED
DAISY STREET, COLNE,			
LANCASHIRE, BB8 8ER			
	NAME	DATE	TITLE: 1600 T-TRUSS
DRAWN	LW	08/09/2016	PLASTIC-WOOD TRUSS
TECHNICAL APPROVAL			
PRODUCTION APPROVAL			
Notes :			TT451600
			REV. A

45mm CRITICAL MEASUREMENT

6mm HOLES TO BE SCREWED WHERE SHOWN ON BOTH SIDES

14x40 PROFILE

60x30 PROFILE

45°

390

148

222

478 O/A TRUSS HEIGHT

960

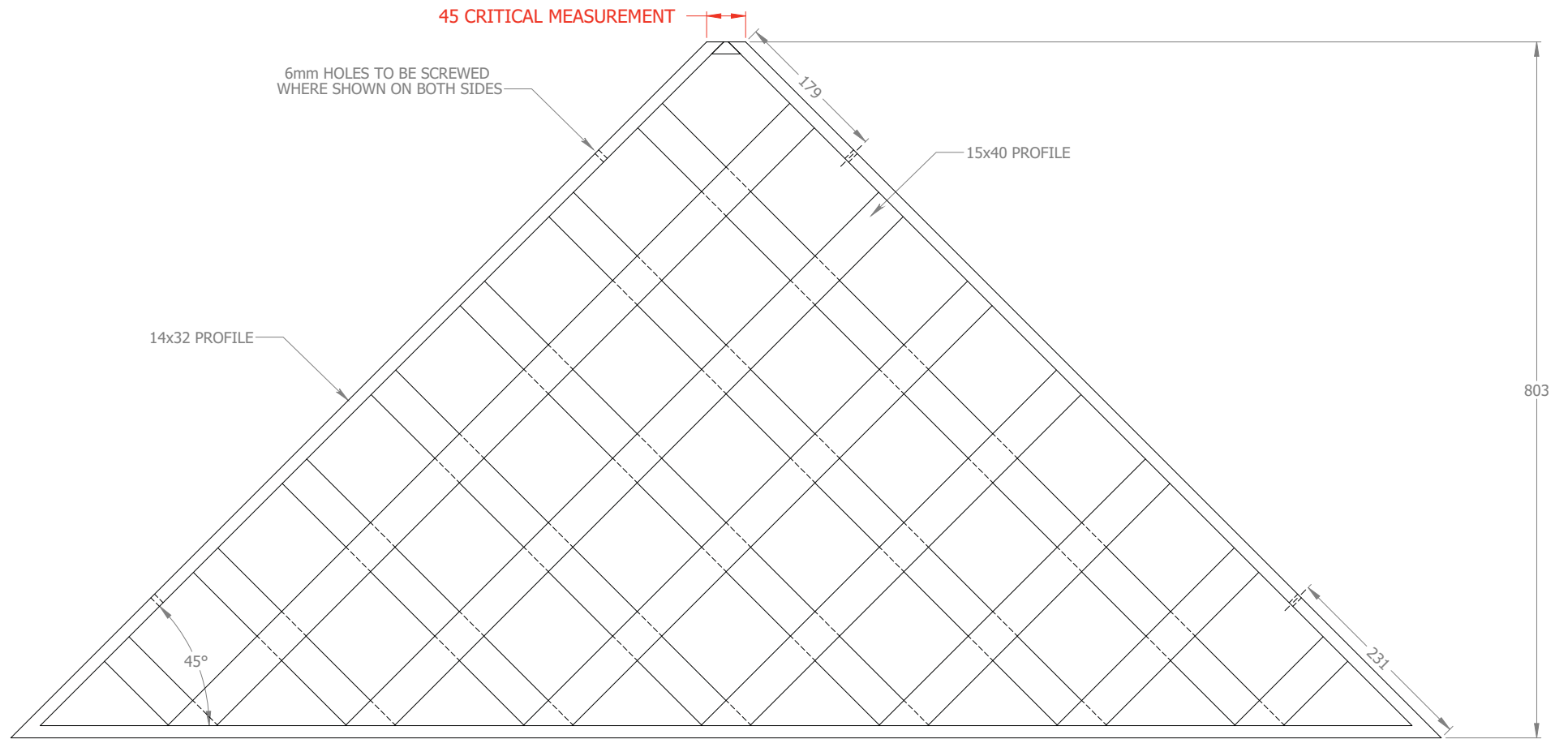
FRONT ELEVATION (1:3)

1000 O/A WIDTH

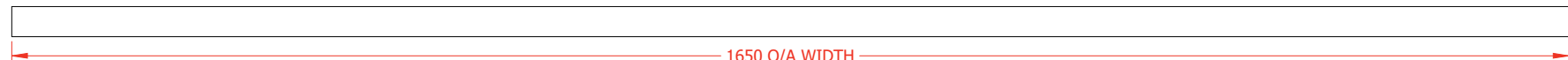
BOTTOM VIEW (1:3)

KEDEL
BRITISH RECYCLED PLASTIC PRODUCTS

DAISY MILL, (GATE 3) UNIT B			KEDEL LIMITED
DAISY STREET, COLNE,			
LANCASHIRE, BB8 8ER			
	NAME	DATE	TITLE: 1150 T-TRUSS
DRAWN	LW	08/09/2016	TRUSS
TECHNICAL APPROVAL			
PRODUCTION APPROVAL			
Notes :			TT451150
			REV. A

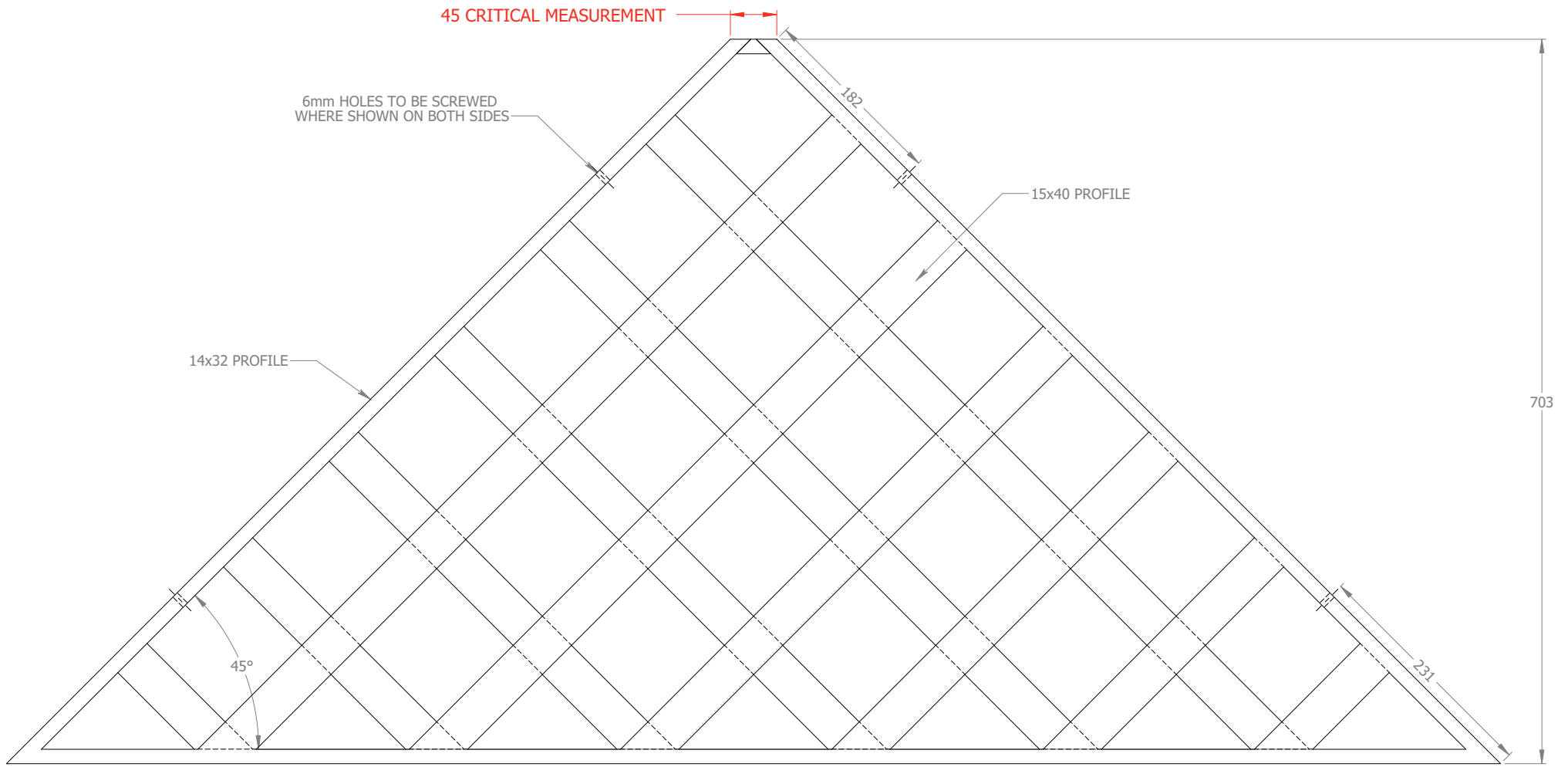


FRONT ELEVATION (1:5)

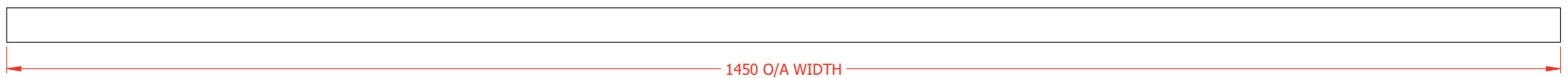


BOTTOM VIEW (1:5)

DAISY MILL, (GATE 3) UNIT B		KEDEL LIMITED	
DAISY STREET, COLNE,			
LANCASHIRE, BB8 8ER			
	NAME	DATE	TITLE: 1800 TR-TRUSS PLASTIC-WOOD TRUSS
DRAWN	LW	08/09/2016	
TECHNICAL APPROVAL			
PRODUCTION APPROVAL			
Notes :		TR451800	REV. A



FRONT ELEVATION (1:4)

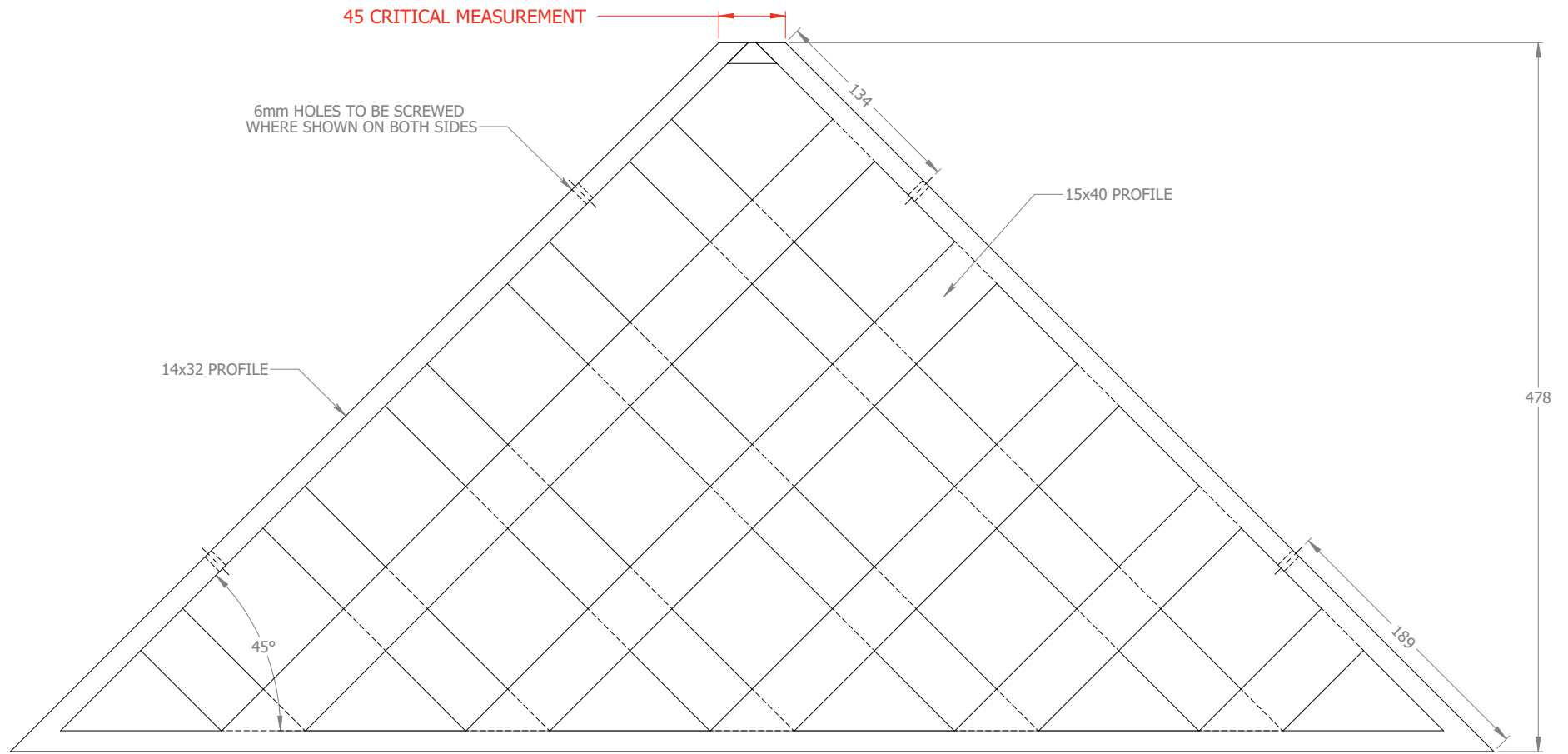


1450 O/A WIDTH

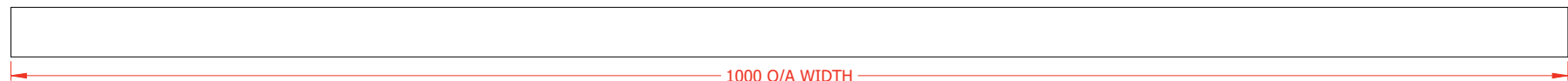
BOTTOM VIEW (1:4)



DAISY MILL, (GATE 3) UNIT B		KEDEL LIMITED
DAISY STREET, COLNE,		
LANCASHIRE, BB8 8ER		
		TITLE: 1600 TR-TRUSS
		PLASTIC-WOOD TRUSS
DRAWN	NAME LW	DATE 08/09/2016
TECHNICAL APPROVAL		
PRODUCTION APPROVAL		
Notes :		TR451600
		REV. A

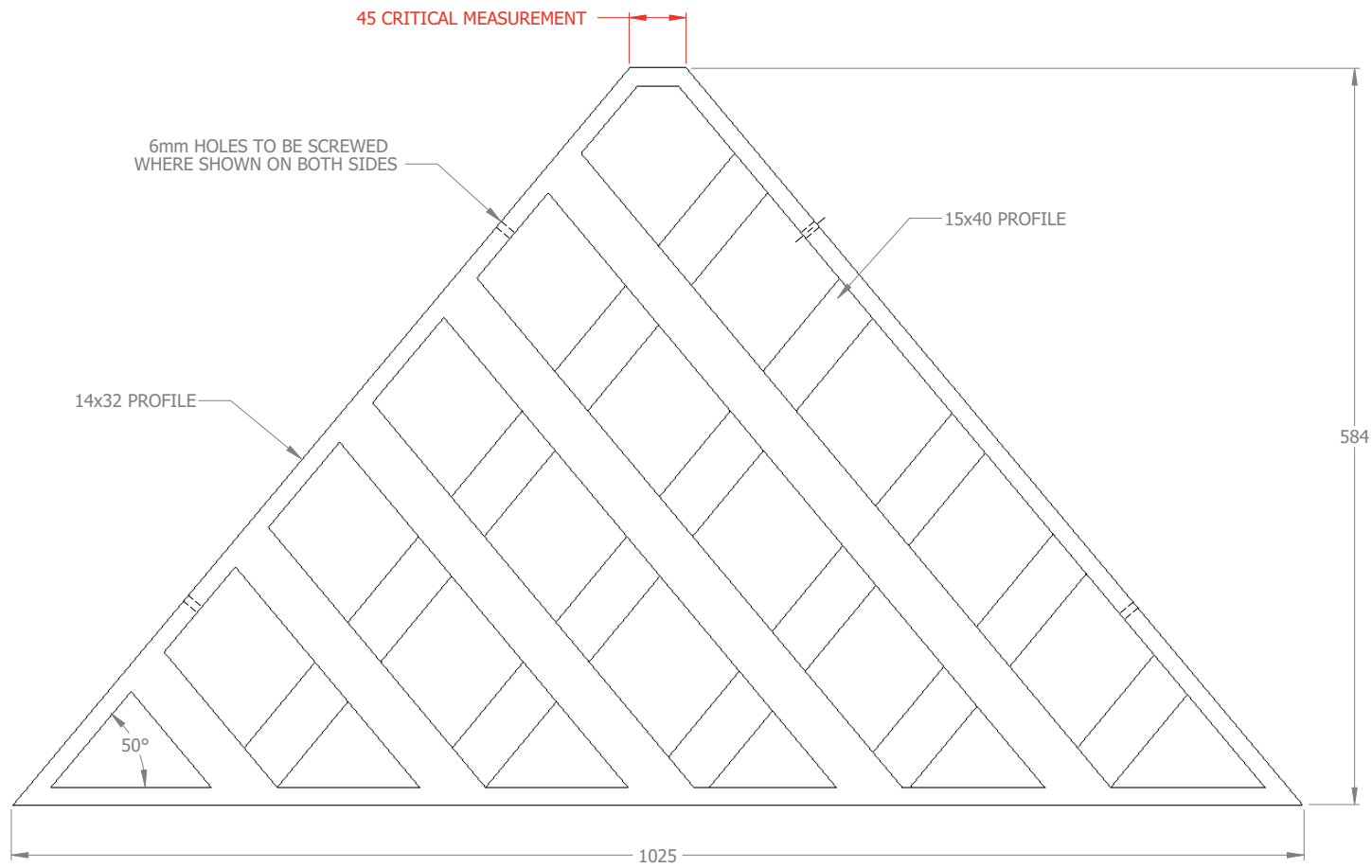


FRONT ELEVATION (1:3)

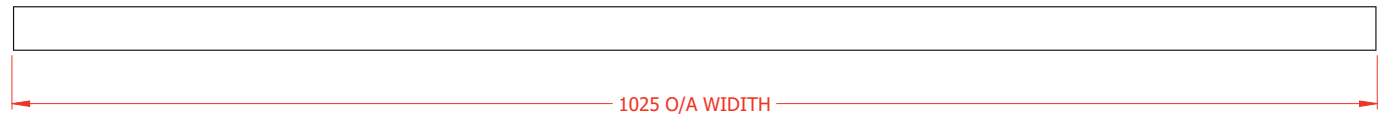


BOTTOM VIEW (1:3)

DAISY MILL, (GATE 3) UNIT B			KEDEL LIMITED
DAISY STREET, COLNE,			
LANCASHIRE, BB8 8ER			
	NAME	DATE	TITLE: 1150 TR-TRUSS
DRAWN	LW	08/09/2016	PLASTIC-WOOD TRUSS
TECHNICAL APPROVAL			
PRODUCTION APPROVAL			
Notes :			TR451150
			REV. A



FRONT ELEVATION (1:3)



BOTTOM VIEW (1:3)

DAISY MILL, (GATE 3) UNIT B		KEDEL LIMITED
DAISY STREET, COLNE,		
LANCASHIRE, BB8 8ER		
TITLE: Plastic Wood Trellis Panel		
	NAME	DATE
DRAWN	LW	08/09/16
TECHNICAL APPROVAL		
PRODUCTION APPROVAL		
Notes :		TR501150
		REV. A

